

# LISTA DE REFACCION

## MODELO 2012NB

Pos.	NUMERO	DESCRIPCION	Cant.	NOTA
001	654561-8	TERMINAL BLOCK	1	
002	631371-0	PILOT LAMP COMPLETE	1	
005	417031-6	SWITCH LEVER	1	
006	417037-4	SWITCH COVER	1	
007	265954-0	TAPPING SCREW BIND PT3X8	2	
008	*****	*****	***	*****
009	417044-7	SWITCH BASE	1	
010	266192-7	TAPPING SCREW 4X14	3	
011	417041-3	SWITCH BOX	1	
012	417038-2	SWITCH BOX COVER	1	
013	265995-6	TAPPING SCREW 4X18	2	
014	266026-4	TAPPING SCREW BIND CT 4X12	2	
015	682539-1	GROMMET	1	
016	667014-8	POWER SUPPLY CORD 0.75-2-2.5	1	
017	265995-6	TAPPING SCREW 4X18	2	
018	687053-2	STRAIN RELIEF	1	
019	687042-7	STRAIN RELIEF	1	
020	*****	*****	***	*****
021	851968-1	NAME PLATE 2012NB	1	
022	*****	*****	***	*****
023	267080-1	FLAT WASHER 6	1	
024	221525-3	SPROCKET 10	1	
025	266059-9	TAPPING SCREW 5X75	4	
026	151739-9	GEAR HOUSING COVER COMPLETE	1	
027	253715-0	FLAT WASHER 6	1	
028	226134-3	GEAR COMPLETE 8-50	1	
029	253715-0	FLAT WASHER 6	1	
030	253215-0	FLAT WASHER 8	1	
031	226135-1	GEAR COMPLETE 8-46	1	
032	253215-0	FLAT WASHER 8	1	
033	254001-2	WOODRUFF KEY 4	1	
034	253760-5	FLAT WASHER 14	1	
035	323923-8	DRIVE SHAFT	1	
036	226518-5	HELICAL GEAR 47	1	
037	253744-3	FLAT WASHER 12	1	
038	151738-1	GEAR HOUSING COMPLETE	1	
039	225083-1	POLY V-BELT 8-341	1	
040	222155-3	V-PULLEY 8-23.5L	1	
041	151737-3	MOTOR HOUSING COMPLETE	1	
042	526103-7	FIELD ASS'Y 220V	1	
043	211087-9	BALL BEARING 6200DDW	1	
044	681623-9	INSULATION WASHER	1	
045	516813-4	ARMATURE ASS'Y 220-240V INC. 43,44,47,188	1	
046	417033-2	BAFFLE PLATE	1	
047	211087-9	BALL BEARING 6200DDW	1	
048	266059-9	TAPPING SCREW 5X75	2	
049	*****	*****	***	*****
050	267080-1	FLAT WASHER 6	1	
051	221525-3	SPROCKET 10	1	
052	343844-8	METAL COVER (B)	1	
053	233016-2	COMPRESSION SPRING 15	1	
054	231459-2	COMPRESSION SPRING 13	1	
055	819064-1	MAKITA MARK	1	
056	214251-1	PLANE BEARING 17	1	
057	922221-3	HEX. SOCKET HEAD BOLT M5X16	2	
058	643650-4	BRUSH HOLDER CAP 6.5-13.5	2	
059	*****	*****	***	*****
060	162216-6	ROLLER 34-295	1	
061	231459-2	COMPRESSION SPRING 13	1	
062	341685-6	METAL COVER (A)	1	

# LISTA DE REFACCION

## MODELO 2012NB

Pos.	NUMERO	DESCRIPCION	Cant.	NOTA
063	922221-3	HEX. SOCKET HEAD BOLT M5X16	2	
064	214251-1	PLANE BEARING 17	1	
065	265854-4	HEX. SOCKET HEAD BOLT M6X12	1	
066	222154-5	V-PULLEY 8-54	1	
067	911128-8	PAN HEAD SCREW M4X16	3	
068	317259-5	BEARING BOX	1	
069	211206-7	BALL BEARING 6202LLB	1	
070	254204-8	KEY 4	1	
071	323928-8	DRUM	1	
072	211206-7	BALL BEARING 6202LLB	1	
073	962153-2	RETAINING RING R-35	1	
074	793346-8	PLANER BLADE 306	1	
075	343682-8	SET PLATE	2	
076	251609-3	HEX. FLANGE HEAD BOLT M6X17	12	
077	225520-5	CHAIN 35-46	1	
078	*****	*****	***	*****
079	267080-1	FLAT WASHER 6	1	
080	221525-3	SPROCKET 10	1	
081	922221-3	HEX. SOCKET HEAD BOLT M5X16	2	
082	343844-8	METAL COVER (B)	1	
083	252426-4	NUT M14	1	
084	214251-1	PLANE BEARING 17	1	
085	231459-2	COMPRESSION SPRING 13	1	
086	162216-6	ROLLER 34-295	1	
087	231459-2	COMPRESSION SPRING 13	1	
088	214251-1	PLANE BEARING 17	1	
089	341685-6	METAL COVER (A)	1	
090	922221-3	HEX. SOCKET HEAD BOLT M5X16	2	
091	226786-0	STRAIGHT BEVEL GEAR 15	1	
092	253828-7	FLAT WASHER 10	1	
093	417034-0	SHAFT RETAINER	1	
094	266040-0	TAPPING SCREW CT 4X25	2	
095	323926-2	SHAFT 10	1	
096	417034-0	SHAFT RETAINER	1	
097	266040-0	TAPPING SCREW CT 4X25	2	
098	253828-7	FLAT WASHER 10	1	
099	226786-0	STRAIGHT BEVEL GEAR 15	1	
100	951122-8	SPRING PIN 4-28	1	
101	344815-8	LOCK PLATE	1	
102	231793-0	TENSION SPRING 5	1	
103	251283-7	+ PAN HEAD SCREW M5	1	
104	417035-8	BELT COVER	1	
105	266040-0	TAPPING SCREW CT 4X25	2	
106	251322-3	+ PAN HEAD SCREW M5X12	2	
107	252427-2	NUT M14L	1	
108	233016-2	COMPRESSION SPRING 15	1	
109	213009-5	O RING 4	1	
110	911233-1	PAN HEAD SCREW M5X20	1	
111	253194-2	FLAT WASHER 5	1	
112	257600-9	SLEEVE 6	1	
113	231588-1	TORSION SPRING 9	1	
114	344068-9	POINTER	1	
115	266026-4	TAPPING SCREW BIND CT 4X12	1	
116	322229-1	GAUGE	1	
117	266040-0	TAPPING SCREW CT 4X25	2	
118	266173-1	TAPPING SCREW 5X30	2	
119	265736-0	SCREW M6X135	1	
120	323927-0	HALF NUT	1	
121	231226-5	COMPRESSION SPRING 11	1	
122	256688-6	PIN 8	1	
123	271296-2	KNOB 45	1	

# LISTA DE REFACCION

## MODELO 2012NB

Pos.	NUMERO	DESCRIPCION	Cant.	NOTA
124	*****	*****	***	*****
125	961012-7	STOP RING E-6	1	
126	951122-8	SPRING PIN 4-28	1	
127	266086-6	HEX. SOCKET HEAD BOLT M5X16	1	
128	*****	*****	***	*****
129	417032-4	GAUGE	1	
130	816358-5	SCALE LABEL	1	
131	266240-2	HEX. SOCKET HEAD BOLT M10X25	4	
132	*****	*****	***	*****
133	417036-6	TOOL BOX HOLDER	1	
134	*****	*****	***	*****
135	417036-6	TOOL BOX HOLDER	1	
136	265716-6	SCREW M5X10	2	
137	265995-6	TAPPING SCREW 4X18	2	
138	265995-6	TAPPING SCREW 4X18	2	
139	344816-6	TABLE PLATE	1	
140	266026-4	TAPPING SCREW BIND CT 4X12	4	
141	344819-0	GUIDE PLATE	2	
142	911128-8	PAN HEAD SCREW M4X16	2	
143	417040-5	SIDE COVER	1	
144	344820-5	SIDE BEAM	2	
145	922323-5	HEX.SOCKET HEAD BOLT M6X16	4	
146	251217-0	+ BINDING HEAD SCREW M8	4	
147	253932-2	WAVE WASHER 10	4	
148	911108-4	PAN HEAD SCREW M4X8	8	
149	344818-2	ARM	4	
150	344817-4	SUB TABLE PLATE	2	
151	266240-2	HEX. SOCKET HEAD BOLT M10X25	4	
152	266213-5	H.S.SET SCREW(FLAT POINT)M5X12	4	
153	323925-4	SCREW L	1	
154	331562-0	COLUMN 20	4	
155	*****	*****	***	*****
156	323924-6	SCREW R	1	
157	151886-6	SIDE COVER COMPLETE	1	
158	911128-8	PAN HEAD SCREW M4X16	2	
159	232195-3	LEAF SPRING	2	
160	266026-4	TAPPING SCREW BIND CT 4X12	2	
161	211088-7	BALL BEARING 6000DDW	1	
162	285698-6	BEARING RETAINER 33	1	
163	266026-4	TAPPING SCREW BIND CT 4X12	3	
164	256226-4	PIN 4	1	
165	252164-8	HEX.NUT M10-17	1	
166	226791-7	STRAIGHT BEVEL GEAR 15	1	
167	317260-0	SUPPORTER	1	
168	216011-7	STEEL BALL 5.6	1	
169	931403-6	HEX. NUT M8	1	
170	922231-0	HEX. SOCKET HEAD BOLT M5X20	2	
171	265846-3	H.S.SET SCREW(CUP POINT)M8X16	1	
172	417030-8	GEAR COVER	1	
173	266026-4	TAPPING SCREW BIND CT 4X12	1	
174	211088-7	BALL BEARING 6000DDW	1	
175	285698-6	BEARING RETAINER 33	1	
176	266026-4	TAPPING SCREW BIND CT 4X12	3	
177	256226-4	PIN 4	1	
178	252164-8	HEX.NUT M10-17	1	
179	226791-7	STRAIGHT BEVEL GEAR 15	1	
180	317260-0	SUPPORTER	1	
181	216011-7	STEEL BALL 5.6	1	
182	931403-6	HEX. NUT M8	1	
183	922231-0	HEX. SOCKET HEAD BOLT M5X20	2	
184	265846-3	H.S.SET SCREW(CUP POINT)M8X16	1	

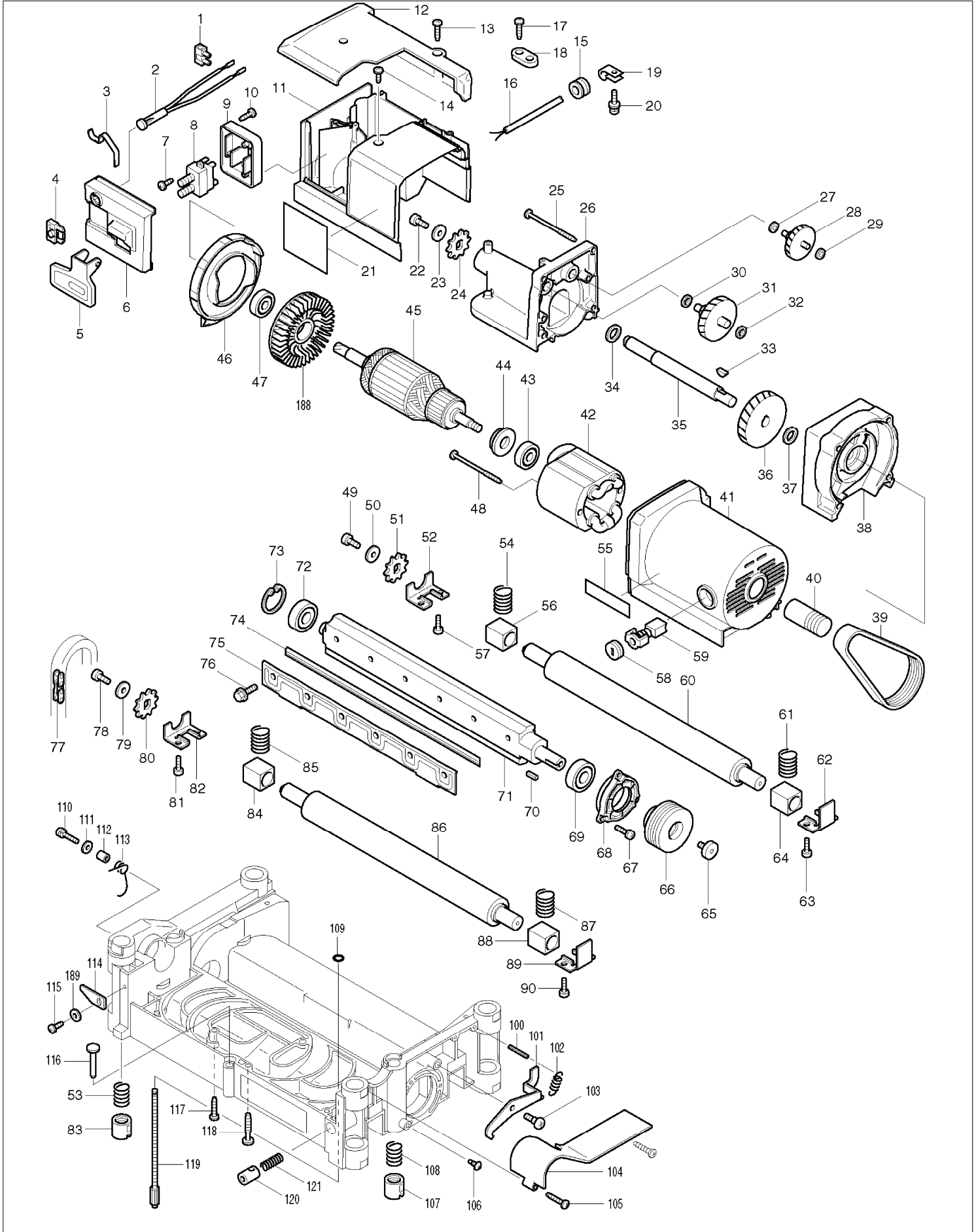
# LISTA DE REFACCION

## MODELO 2012NB

Pos.	NUMERO	DESCRIPCION	Cant.	NOTA
185	417030-8	GEAR COVER	1	
186	266026-4	TAPPING SCREW BIND CT 4X12	1	
187	*****	*****	***	*****
188	240003-4	FAN 80	1	
189	941051-3	FLAT WASHER 4	1	
A01	762014-4	MAGNETIC HOLDER	2	
A02	782203-5	SOCKET WRENCH 9	1	
A03	783208-8	HEX. WRENCH 2.5	1	
A08	824002-0	PLASTIC CASE	1	

# DIAGRAMA

MODELO: 2012NB



# DIAGRAMA

MODELO: 2012NB

